

**F A R O**  
BARCELONA

**MOTOR  
DC**

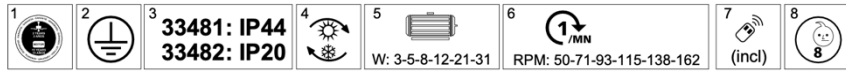
# winche

Refs. 33481, 33482






Do not connect the fan directly to the power source. A wall controller is not available for this fan. Only use the remote control provided with the product. Contact the distributor if you need to replace the product.



220V-240V-50Hz/60Hz

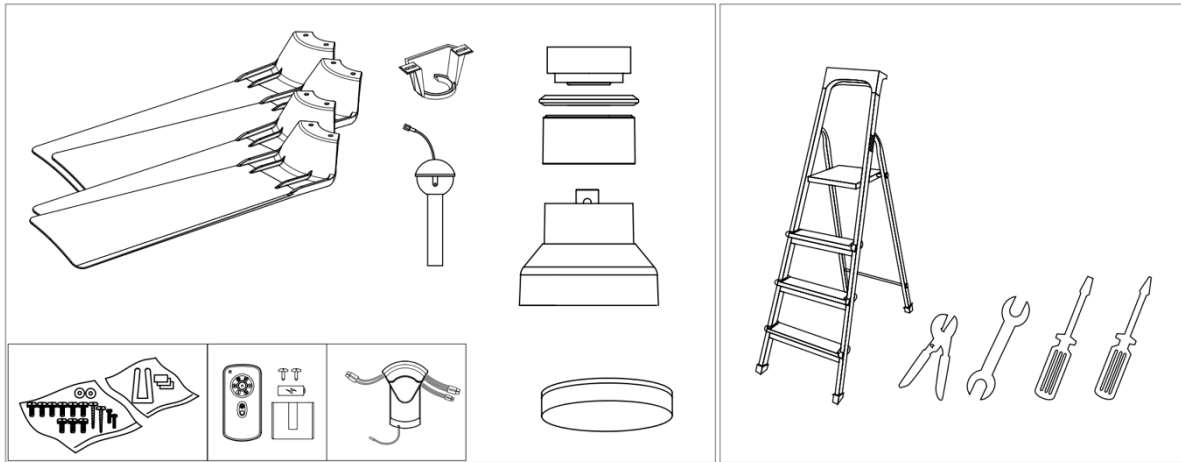
- 1- Motor guarantee 15 years - Fan guarantee 2 years.
- 2- Protection class I: The fitting has an earthing connection: The earth wire (yellow / green ) has to

be connected to the clip marked with 

- 3- Protected against solid objects bigger than 1mm and against splashing water.
- 4- Reverse function.
- 5- Consumption in w, according to the speed of the motor.
- 6- Revolutions per minute.
- 7- The remote control is included.
- 8- This device can be used by children aged 8 and above as well as people with reduced physical, sensory or mental abilities or lack of experience and knowledge, as long as they were given appropriate training regarding the use of the device or are being supervised, understanding the hazards involved. Children should not play with the device. Children must be supervised when cleaning or doing maintenance of the device.

### **WARNINGS**

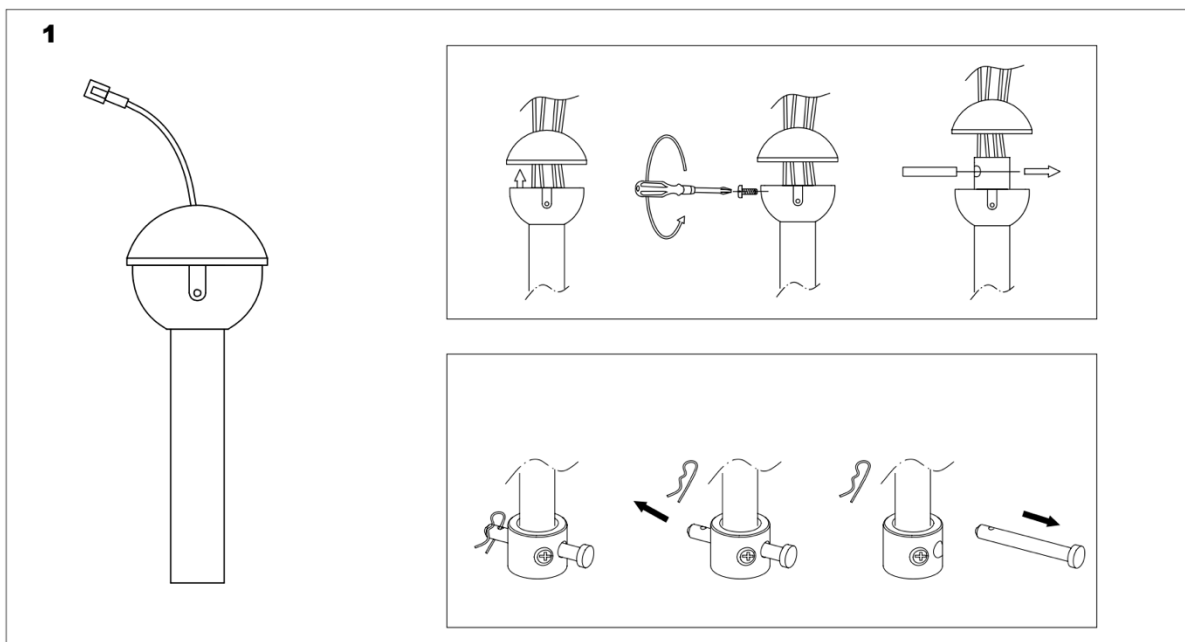
1. Read entire booklet carefully before beginning installation and save these instructions.
  2. To reduce the risk of personal injury, attach the fan directly to the support structure of the building according to these instructions, and use only the hardware supplied.
  3. To avoid possible electrical shock, before installing your fan, disconnect the power by turning off the circuit breakers to the outlet box and associated wall switch location. Disconnection methods to the main installation must be incorporating according to setting-up regulations.
  4. All wiring must be in accordance with national and local electrical codes. If you are unfamiliar with wiring, you should use a qualified electrician.
  5. A shutdown system must be incorporated to the wiring. Such system must be directly connected to the supply terminals and must have a contact separation in all poles, ensuring full disconnection in case of category III overvoltage.
  6. If the power cord is damaged it must be replaced by the manufacturer, customer service or similarly qualified staff in order to avoid hazardous situations.
  7. To reduce the risk of personal injury, do not bend the blade attachment the system when installing, balancing or cleaning the fan. Never insert foreign objects between rotating fan blades.
  8. To reduce the risk of fire, electrical shock or motor damage, do not lift or carry the fan by the lead wires.
  9. The fan blades cannot be installed lower than 2,3m from the floor.
- The important precautions, safeguards and instructions appearing in this manual are not meant to cover all possible conditions and situations that may occur. It must be understood that common sense, caution and carefulness are factors which cannot be built into this product. These factors must be supplied by the person(s) installing, caring for and operating the unit.*



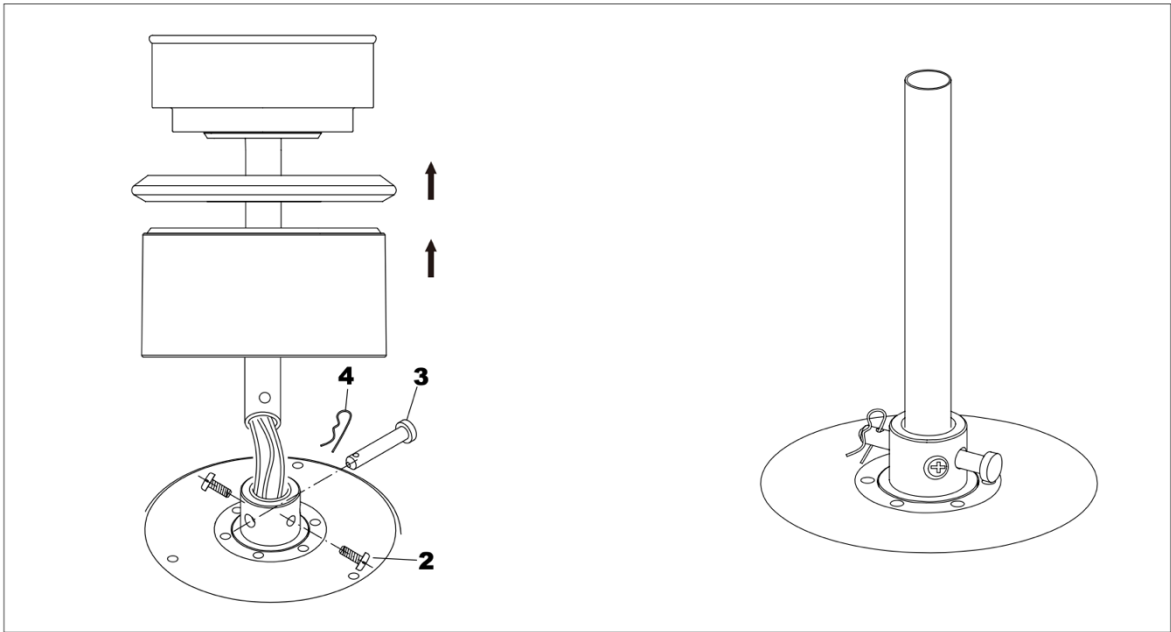
**Tools and materials required**

Verify you have all parts before beginning the installation. Check foam insert closely for missing parts. Remove motor from packaging. To avoid damage to finish, assemble motor on soft padded surface or use the original foam inset in motor box. Do not lay fan on its side as this could result in shifting of motor in decorative enclosure.

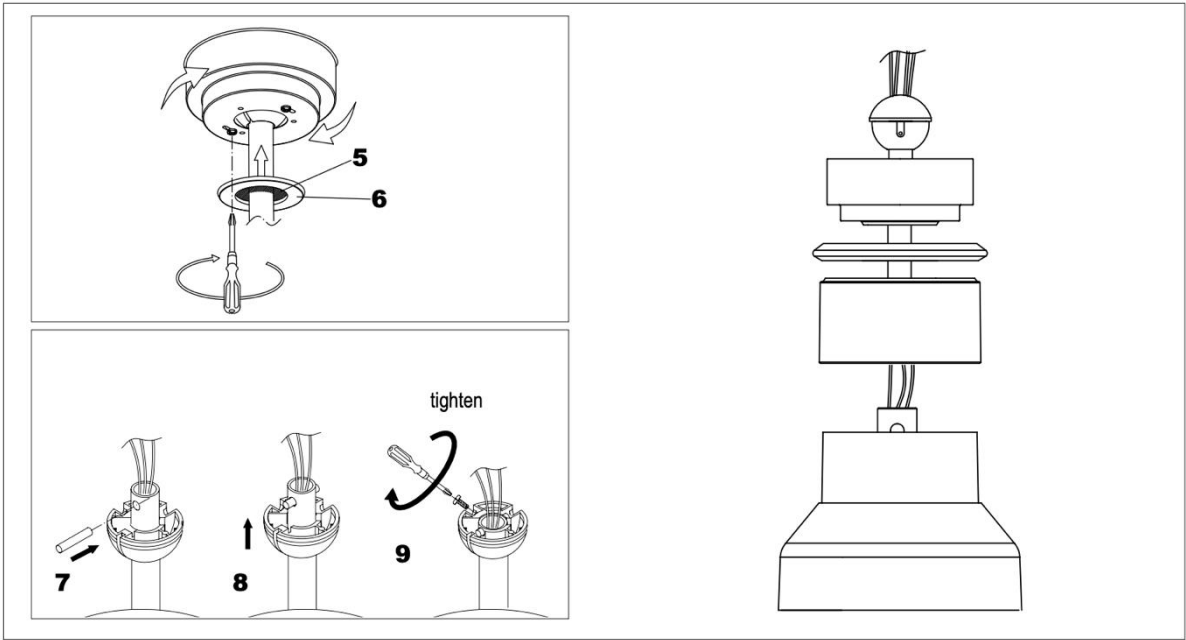
**How to install the fan**



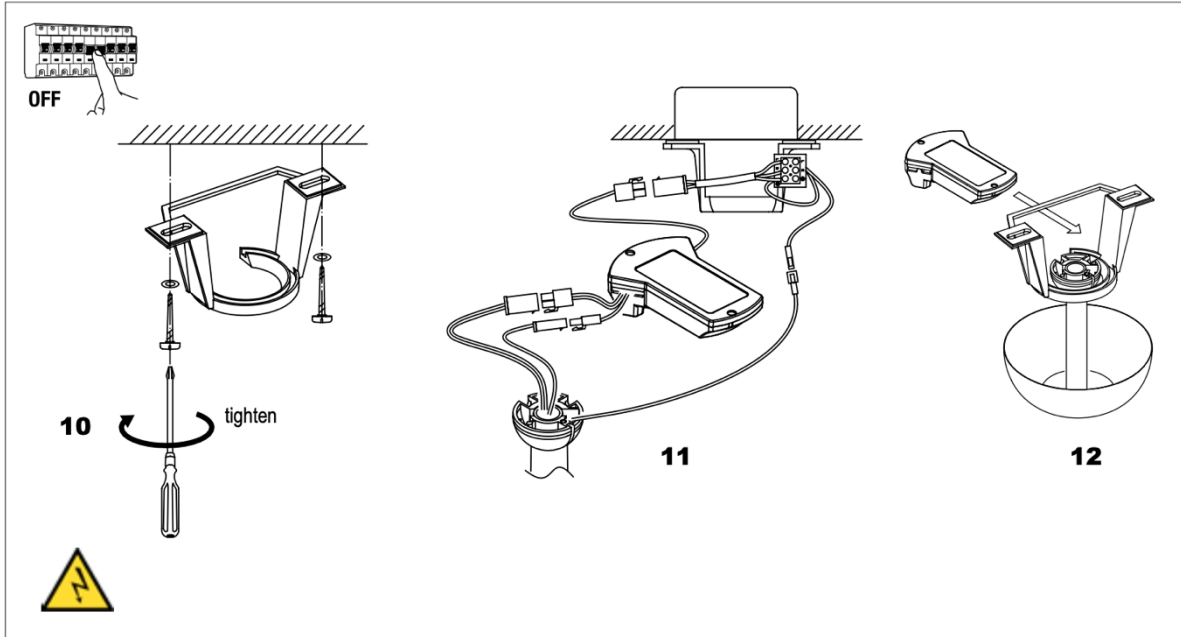
Remove the drop rod.



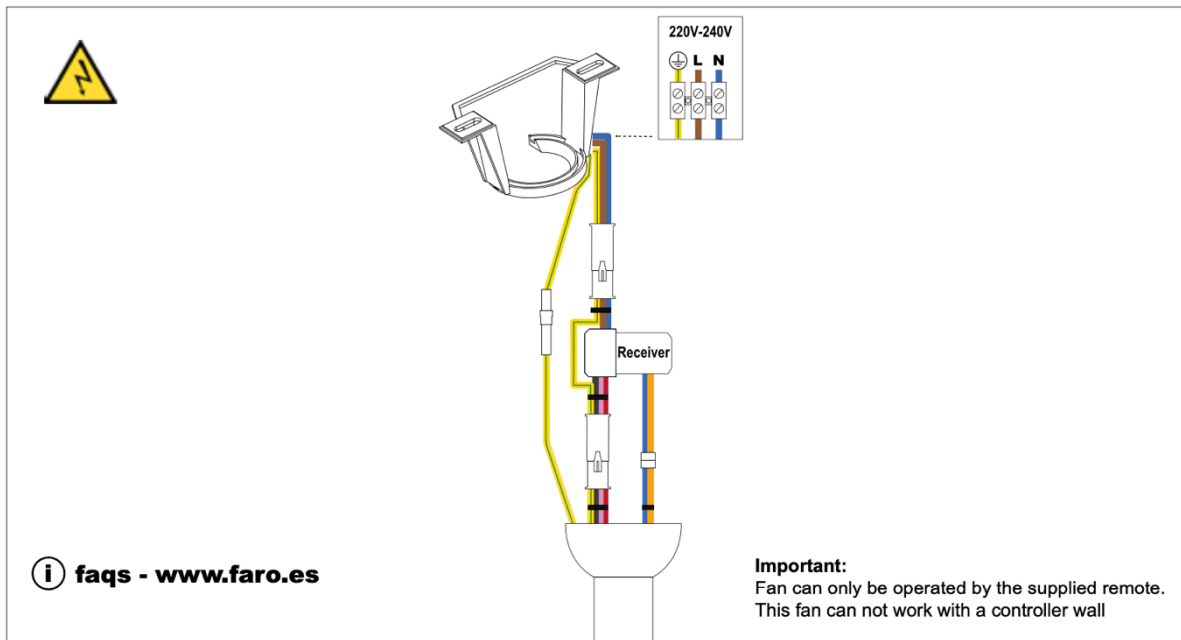
Pass the wires through the post. Insert the pin and clevis. Tighten the screw holding the pin in place.



Insert the canopies and reinsert the ball and pin.

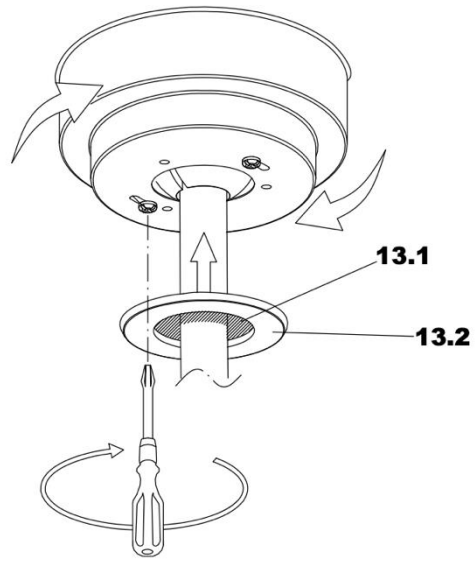


Make sure the screws are securely fastened to the ceiling.

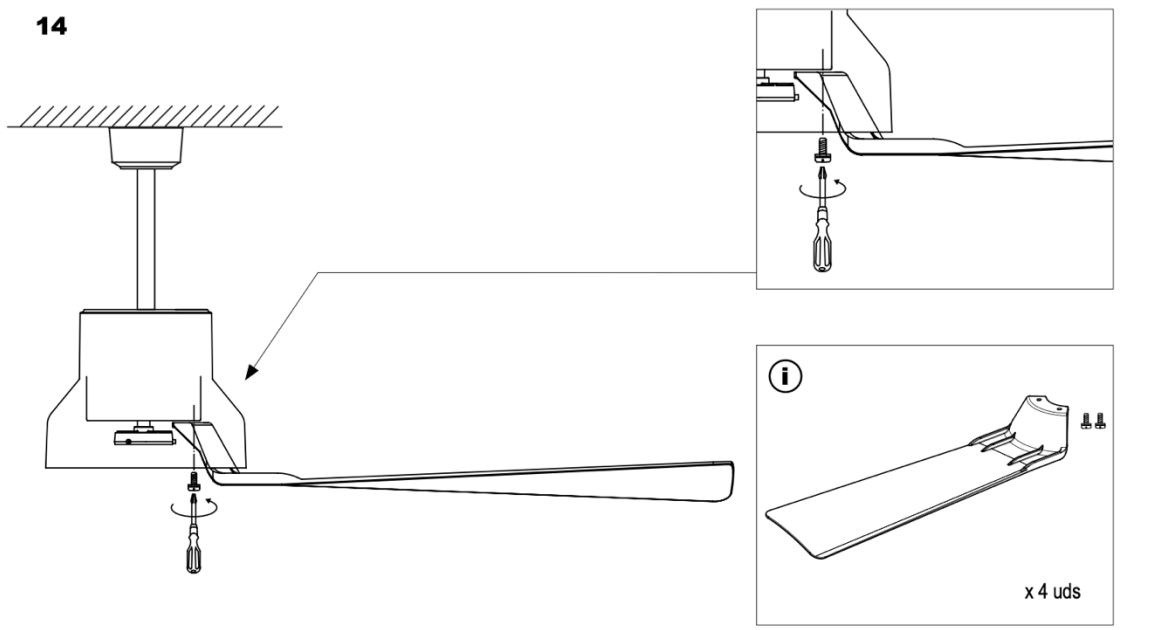


Ensure that the connections are correct. If in doubt consult a technician.

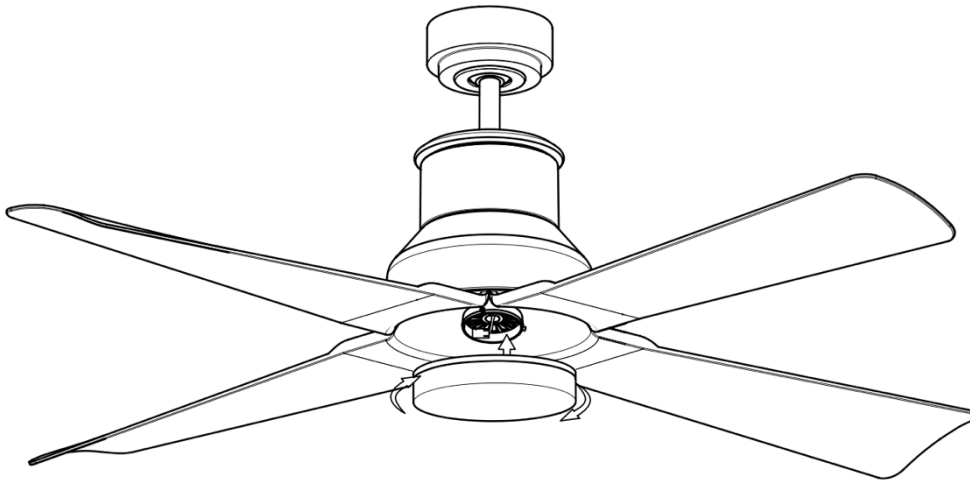
13



14



Hanging the fan. Make sure the screws are tightened.



## **MAINTENANCE**

1. As fans tend to move during operation, some connections may loosen. Check the supporting screws, brackets and blade attachments twice a year to ensure that they are secure.
2. Cleaning the fan helps to maintain its appearance for years. Do not use water when cleaning. This could damage the motor or the blades and could cause electrocution.
3. Use a soft brush or lint-free cloth to prevent scratching the surface.
4. There is no need to oil the motor as the bearings are permanently lubricant

## **TROUBLE-SHOOTING GUIDE**

### The fan does not start

1. Check the fuses and circuit breakers.
2. Review the connections of the terminal block according to the indications in the installation. Ensure the power is off before doing this.
3. Make sure that the sliding switch is firmly in the position of up or down. The ventilator does not work when the button is in the middle.
4. Make sure that the stabilizing tongue-pieces of the motor are off.
5. Finally if the fan will not start call an electrician do not attempt to touch the internal parts.

### The fan is noisy

1. Check that the screws in the motor casing are attached correctly.
2. Check that the screws fastening the blade brackets to the engine block are properly tightened.
3. If using an optional light fitting, ensure the glass is properly fitted and / or the screws holding the glass are firm.
4. If a solid state speed control has been fitted this can cause noises in the motor do not use these control.
5. Allow at least 24 hours for the fan to settle, as many noise will go away. Each blade set is weighed and is a complete set, if installing more than one fan do not mix the blades as this can cause wobble.

### The fan oscillates

1. Check the blades are securely fastened to the holders.
2. Check the blade holders are tight on the motor
3. Ensure the mounting bracket is properly screws to the ceiling.
4. Interchange opposite blade sets if need be

In general , wobble is caused by the blade not cutting the air at the same point measure down from the ceiling and make sure each blade is at the same height

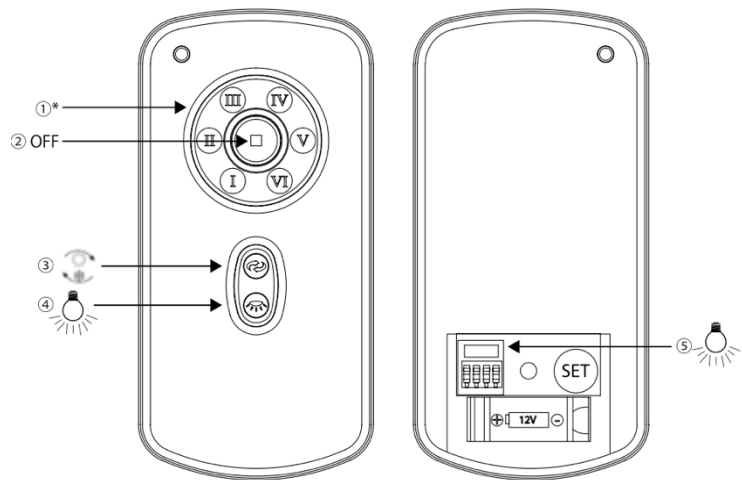
to the ceiling, if they are not a small adjustment can be made by hand by slightly bending the blade and bracket. If a major adjustment is needed insert a washer (not provided)



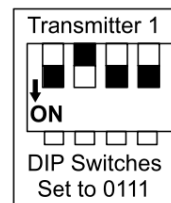
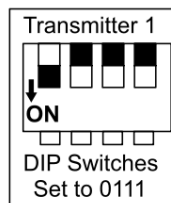
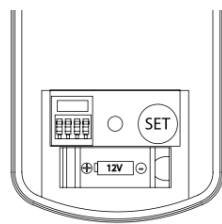
## Pre-coded remote control

1. Fan speeds (I low -- VI high)

4. Light: not applicable for this model



Note: when you turn on the fan the first time or switch the main power to the controller, you need to start the fan on high speed first, and then choose a lower speed. A 120-150 seconds is required to allow the dc fan to respond to the remote each speed or fan direction selections, as dc fan incorporate a sensor control which controls the power to the motor.



## REMOTE CONTROL

The DC brushless motor manual of general type remote control.

THE MANUAL OF TRANSMITTER

THE RECEIVED PROVIDES THE FUNCTION OF MULTIPLICABLE PROTECTION.

1. Lock position: the receiver has a built-in safety against obstruction during operation. The motor will be locked operation and disconnect power after 30 seconds of interruption. Please remove obstacles before re-start. To reset, simply disable power supply to the fan motor and restart.

2. Over 80w protection: when the receiver detects power consumption which is greater than 80w, the received power will be stopped and operation will immediately discontinue. Turn the receiver power on after 5 seconds,

Pairing Transmitter and Receiver – when 2 or more DC ceiling are installed in one location. When two or more fans are located near each other, you may desire to have the receiver/transmitter for each fan set to a different code, so that the operation of one fan does not affect the operation of the other fans.

The DIP switches for the transmitter (remote hand piece) are located in the battery compartment of the transmitter.

NOTE: Ensure that you have installed an all - poles disconnection switch in the fixed wiring for each fan, when using DIP code function.

NOTE: Ensure that the power to the Receiver is ON before pairing the transmitter using the DIP code.

Transmitter/Receiver pairing for ceiling fan 1:

- Turn off both ceiling fans 1 and 2 via the mains supply to the receiver.

- Slide the cover of battery compartment of transmitter to access the DIP switches. This will be transmitter 1.
- Change the position of the DIP switches in the remote transmitter 1, so that it will be different to transmitter 2
- Install the 12VDC battery in the compartment. Please make sure the polarity of battery is correct.
- Turn on the power to receiver 1. Keep the power OFF to receiver 2. (Each ceiling fan must have its own isolation switch, so that only the Ceiling fan that needs to be paired with the transmitter will be ON).
- Press and hold the SET button of transmitter 1 for 6 seconds within 60 seconds of switching the power to the receiver of Ceiling Fan 1.
- Now the transmitter should be paired with the receiver of ceiling fan 1. Turn ON/OFF or change the speed of ceiling fan 1 by the transmitter to check the operation.

#### Setting DC Ceiling fan 2:

- Turn off both ceiling fans 1 and 2 via the mains supply to the receiver.
- Slide the cover of battery compartment of transmitter to access the DIP switches. This will be transmitter 2.
- Change the position of the DIP switches in the remote transmitter 2, so that it will be different to transmitter 1.
- Install the 12VDC battery in the compartment. Please make sure the polarity of the battery is correct.
- Turn on the power to receiver 2. Keep the power OFF to receiver 1. (Each ceiling fan must have its own isolation switch, so that only the Ceiling fan that needs to be paired with the transmitter will be ON).
- Press and hold the SET button of transmitter 2 for 6 seconds within 60 seconds of switching the power to the receiver of Ceiling Fan 2.
- Now the transmitter should be paired with the receiver of ceiling fan 2. Turn ON/OFF or change the speed of the ceiling fan 2 by the transmitter to check operation.

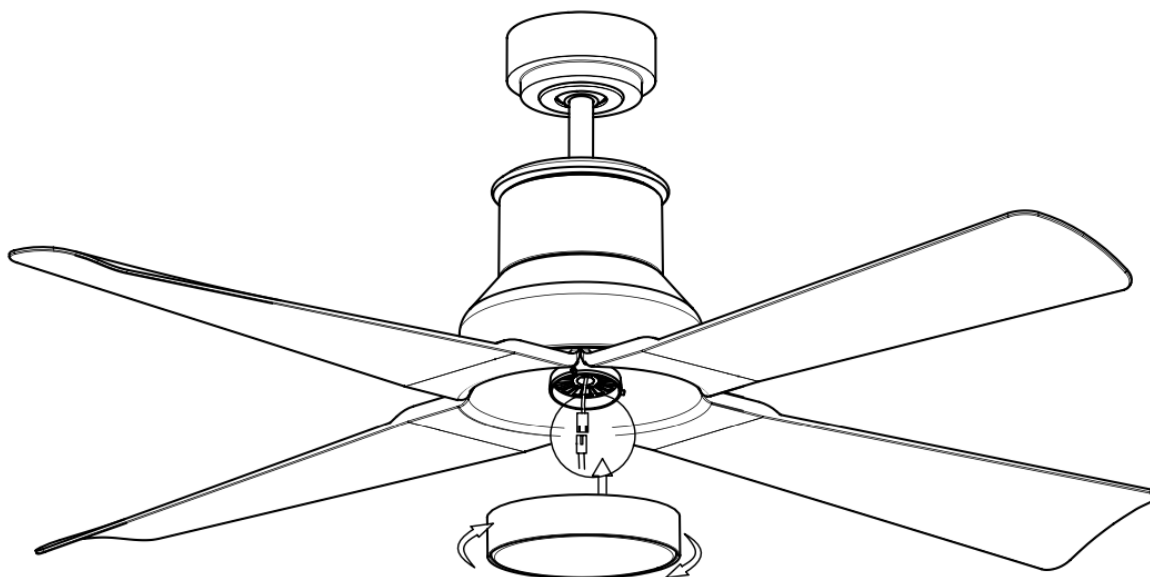
#### **GUARANTEE:**

In Compliance with the General Law 23/2003. CONDITIONS

- A. This product guarantee will be accepted by Lorefar S.L. provided that it is correctly completed and send to Lorefar S.L. (note that the light bulbs are not part of the ceiling fan)
- B. Lorefar S.L.'s liability is limited to the repair of articles which have defects of a technical nature.
- C. If any of the parts of your ceiling fan other than the motor's is faulty at any moment within the 2 year period since its purchase date due to an original material defect or manufacturing, the replacing of the part or its repair will be completely free of charge
- D. If the motor of your ceiling fan is faulty at any moment within the 15 years since its purchase due to an original material defect or manufacturing, the replacing of the part or its repair (we Hill consider it) completely free of charge for the part or the work carried out, as long as the part is delivered in its original package together with all its accessories.
- E. All repairs which are carried out under the present guarantee should be performed by an establishment which is duly authorized by Lorefar S.L. The fan will have to be delivered together with the purchase receipt or any other document proving its purchase. The fan will have to be delivered properly packaged and under no circumstance will Lorefar SL be held responsible for the damages suffered during transport
- F. This guarantee does not cover defects, poor working or breakdowns of the fan which have their origin in repairs carried out by staff other than that authorized by Lorefar SL, in the use of non authorized accessories or spare parts, in the bad operation of the fan, in its bad installation or in any other type of incidence that is not an original defect of the fan

G. The guarantee will be void if the fan has not been purchased and installed in the European Union.

H. This guarantee gives you certain rights that may vary depending on the corresponding Local Government. Nothing in this guarantee expresses or excludes, restricts or modifies any condition, guarantee, right or remedy other than those stated by the Law 23/2003, of July, 10th on Guarantees on the Sale of Consumer Goods and other relevant legislation on matters of consumer protection.



light kit not included

